

# EM15 Series

# 2 Head Emergency Light



**EM15 Series**

**SPECIFICATIONS**

- Injection Molded Thermoplastic Housing
- Adjustable Glare Free Lighting Heads
- Push to Test Switch
- LED Charge Indicator
- 6V Sealed Lead Acid Battery, Maintenance Free
- Automatic Low Voltage Disconnect (LVD)
- Remote Capable Option (White)
- Two 5.4 Watt T5 Wedge Base Lamps
- Universal Mount
- Dual Voltage 120/277V

**APPLICATIONS**

- General Emergency Lighting
- Offices, Warehouses, Walkways, Garages
- Wall or Ceiling Mount
- Suitable for Outside Covered Applications

**ELECTRICAL**

- 120/277V; 60Hz
- 90 Minute Emergency Operation

**INSTALLATION**

- Surface Mount over Surface or Recessed J-Box

**CERTIFICATIONS/LISTINGS**

- UL Listed
- Listed for Damp Locations

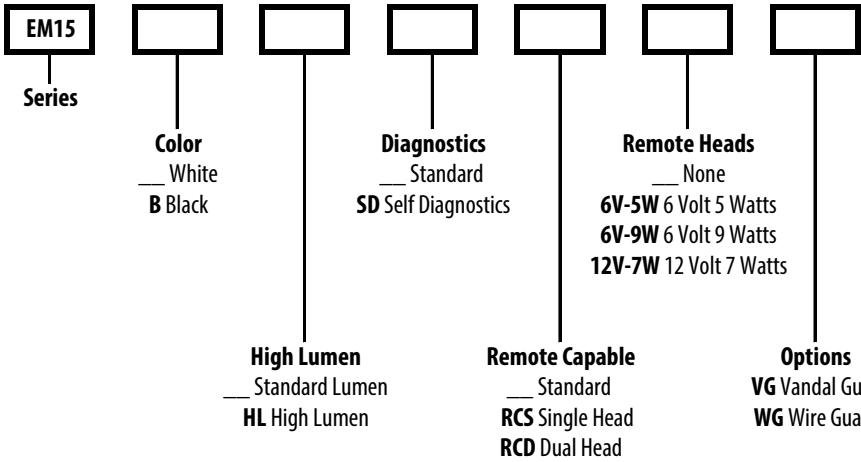


PROJECT \_\_\_\_\_ TYPE \_\_\_\_\_

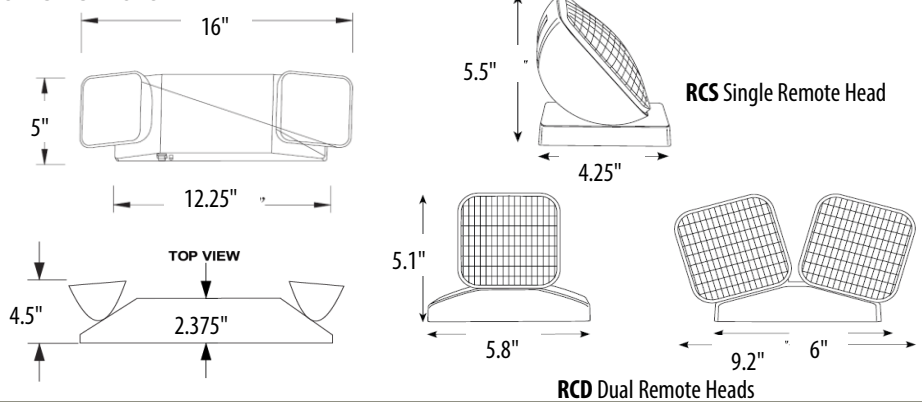
QTY \_\_\_\_\_ NOTES \_\_\_\_\_ APPROVAL \_\_\_\_\_

**ORDERING/SPECIFYING INFORMATION:**

**EXAMPLE: EM15**



**SPECIFICATIONS**



**OPTIONS/ACCESSORIES**



Specifications Subject to Change

