

FEATURES

- Direct Bury Installation
- Suitable for Poles up to 30 Feet
- Installs at Grade or up to 48" Above
- Up to 4- 3/4" Conduit Entries
- 3 or 4 Bolt Patterns
- Bolts up to 1" x 3/8"
- Bolt Circles up to 14"

APPLICATIONS

- Parking Lots
- Roadways
- General Area

Notes

- 1) _____
- 2) _____
- 3) _____
- 4) _____
- 5) _____



CBR-24 Series

24" Round Concrete Pole Base

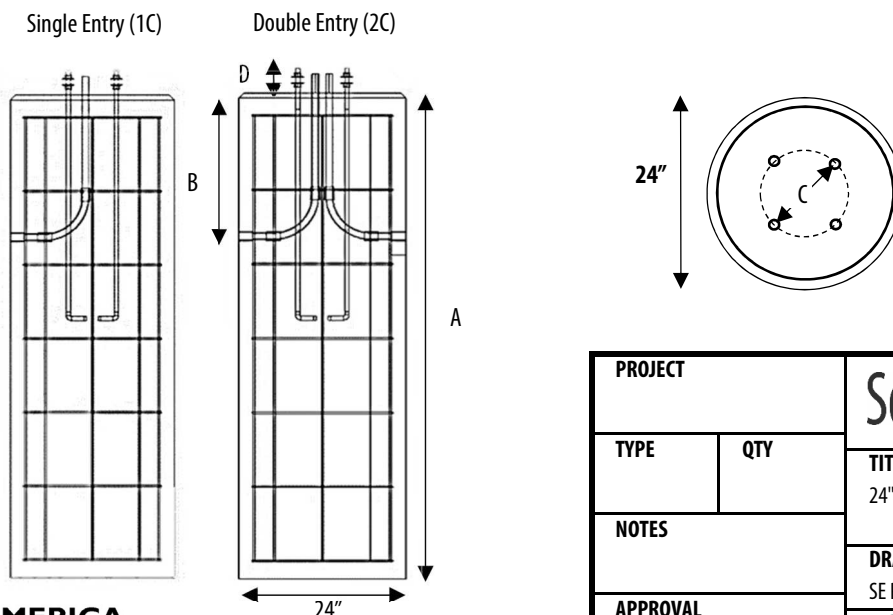
Ordering/Specifying Information

CBR-24							
SERIES	"A" FT	Conduit	"B" IN	Bolts	Bolt Circle "C" IN	Bolt Size	Bolt Proj "D" IN
	4	1C 1	24	3		___ IN	
	5	2C 2	30	4		X	
	6	3C 3	36			___ IN	
	7	4C 4	42				
	8		48				
	9		60				
	10		72				
	11						
	12						
	13						

Pole Base Specifications

Base	Length	Diameter	Base Weight	Bases Per Truck	Height Above*	Below Grade*
CBR-24-4	4'	24"	1,815	20	8-9'	4'
CBR-24-5	5'	24"	2,254	15	10-14'	5'
CBR-24-6	6'	24"	2,720	14	15-20'	6'
CBR-24-7	7'	24"	3,170	12	21-25'	7'
CBR-24-8	8'	24"	3,625	10	26-28'	8'
CBR-24-9	9'	24"	4,080	8	28-30'	10'
CBR-24-10	10'	24"	4,530	8	30-34'	11'
CBR-24-11	11'	24"	4,985	8		
CBR-24-12	12'	24"	5,440	6		
CBR-24-13	13'	24"	5,890	6		

* Pole Base Guidelines; Height Above includes Pole Height and Base Above Grade; Variations such as Pole/Fixture EPA and Soil Conditions Affect Properly Engineered Depth Specifications Subject to Change



PROJECT		SOUTHEAST POLES		
TYPE	QTY	TITLE		
		24" Round Concrete Pole Base		
NOTES		DRAWING/FILE		
		SE Pole and Bracket Catalog.xlsx		
APPROVAL		DATE	SCALE	SHEET
		4/26/2018	N.T.S.	2 OF 2