

# AL25/AL26 Series

# Area Light



AL25/AL26 Series

### SPECIFICATIONS

- Spun Aluminum Housing
- Prismatic or Glass Refractor
- Weather Proof Construction
- Bronze, Black or Gray Powder Coat Finish, Optional Custom Color
- HID Porcelain Medium 4KV or Mogul 5KV Base Socket or CF Plug-In Type, GX24Q (Non LED)
- Multiple Light Source Options
- Universal Volt LED Electronic Driver 120-277V
- 3K, 4K or 5K LED Color Options
- Optional Photocell
- Optional House Side Shield

### APPLICATIONS

- General Area Lighting
- Walkways, Parking, Roadway, Area
- Schools, Commercial Buildings, Communities
- Street Lighting, Car Lots, Campuses

### ELECTRICAL

- Quad Volt: HPS 70W, 100W, 150W & 250W  
MH 70W, 100W, 150W, 175W & 250W
- UNV: LED 36W, 45W & 54W & CF 26W, 32W & 42W
- 120V: HPS 70W, 100W, 150W & 250W

### INSTALLATION

- Pole Mount, Fits 2 3/8" to 3" Pole or Tenon

PROJECT \_\_\_\_\_ TYPE \_\_\_\_\_

QTY \_\_\_\_\_ NOTES \_\_\_\_\_ APPROVAL \_\_\_\_\_

### ORDERING/SPECIFYING INFORMATION:

EXAMPLE: AL25 M 150 Q L



Series  
AL25  
AL26

Light Source  
H High Pressure Sodium  
M Metal Halide  
F Compact Fluorescent  
L Light Emitting Diode

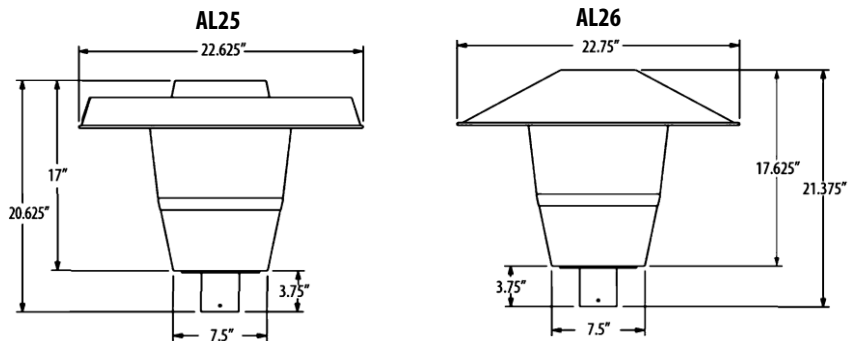
LED Color  
\_\_\_ Non LED  
30K 3000K LED  
40K 4000K LED  
50K 5000K LED

Options  
L Lamped  
GL Glass Lens  
PC Photocell  
HSS House Side Shield  
CC Custom Color

Watts			
HPS	MH	CF	LED
70	70	26	36
100	100	32	45
150	150	42	54
250	175		
	250		

Volts  
Q 120/208/240/277V  
UNV 120-277V  
120 120V

### SPECIFICATIONS



### OPTIONS/ACCESSORIES



Specifications Subject to Change